

8 Channel Real-Time Digital Video & Audio Recorder



- 25 fps full-frame recording (200 fps total)
- 8 channels of video, audio and data recording
- Networked controlled server operation
- Multiplexer functions and integrated telemetry
- Full evidential audit trail and easy data transport
- Dedicated hardware design running embedded Linux

Setting a new standard for non-PC-based DVR systems, FASTAR provides smooth real-time 4CIF (720 x 576) resolution recording at DVD-quality with audio on every channel. It is designed for higher frame-rate applications such as town centres, casinos, airports, cash-counting areas and similar sites. Each channel independently records from 0.1 to 25 fps according to recording schedules, integrated video motion detection, or external alarm input.

FASTAR Server is designed as a server-based digital video recording system with control and playback through either a network-connected FASTAR Commander unit or a networked Control Station or even standard office PC. Multiple FASTAR Server units can be linked to provide seamless recording of hundreds of cameras.

FASTAR units run embedded Linux on purpose-designed hardware and so are highly reliable, secure and totally immune to computer viruses. All software is embedded so that the hard disks store recorded data only. Software upgrade is fully automatic and can be carried out in seconds by simply inserting a USB memory key.

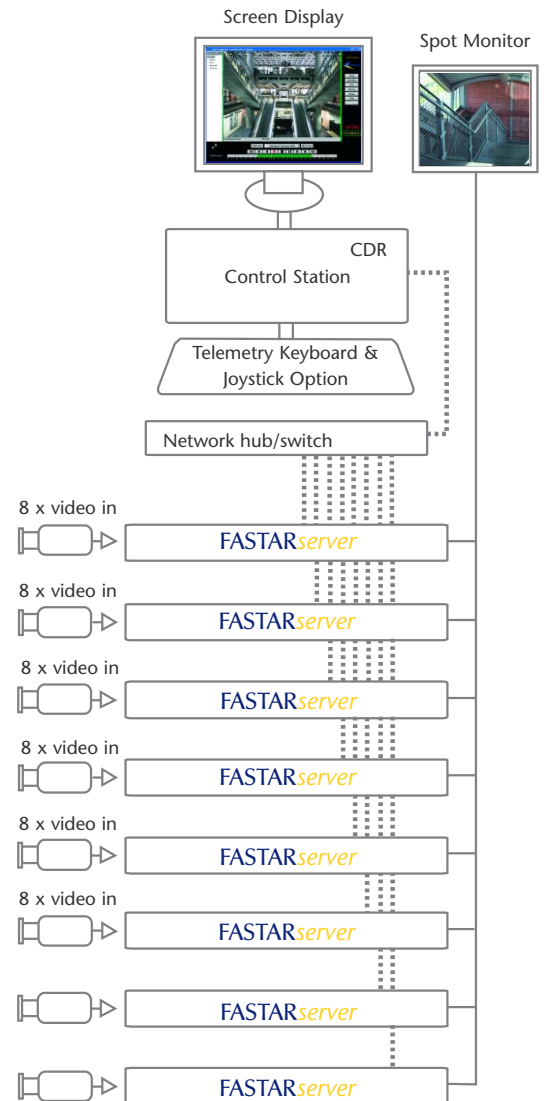
Each 1U FASTAR has an internal storage capacity of 1,200GB. This can be expanded, if required, through our Network Attached Storage (NAS) units which can also be configured in any RAID format required.



Product Range	FASTAR Server 1U (up to 1200GB). FASTAR Server 2U (up to 1600GB). External Networked Attached Storage (NAS) with RAID options. FASTAR Commander 1U (up to 1200GB). FASTAR Commander 2U (up to 1200GB with CDR or 1600GB).
Recording Rates	25 fps per channel at full frame. Total 200 fps. Independently variable recording rates per channel from 0.1 to 25 fps.
Resolution	720 x 576 pixels full frame (384 x 288 option).
Display	Real-Time : Split screen, PIP, full screen. Live-viewing across network (channel select).
Storage Format	MPEG2 (DVD-Quality) with variable compression.
Video Input	8 BNC with loop-through and switchable termination.
Video Output	2 BNC : 1 Main display, 1 spot monitor.
Audio Input / Output	8 line-level stereo inputs, 1 stereo line-level output.
Data Input	Via serial ports or network.
Alarm Input / Output	8 inputs on screw-terminal contacts (NC/NO) 2 relay outputs on screw terminals.
Network Port	100BaseT Ethernet link on RJ45 socket.
Serial Ports	2 RS232 (RS485 via adaptor).
Other Ports	USB for external HD archive, CD Writer. System software update via USB memory key.
Operating Modes	Quadruplex (Record/Playback/Display/Archive).
Video Motion Detection	Integrated high-performance VMD with zone-masking.
Recording Scheduling	Programmable continuous and event recording according to time and weekday.
Telemetry Support	Via RS232 - RS485 adaptor or co-axial signalling.
Accessories	Keyboard & Joystick for telemetry control.
Other Features	Full operator log and evidential audit trail. Automatic restart after power fail (30 secs from power-on / restart to record).
Mains Power Input	230V (100W typical power consumption).
Operating Conditions	5 to 35 °C; 5% to 85% relative humidity.
Dimensions	W x H x D mm 442mm x 44mm x 460mm (1U).

FASTARserver

Example of an integrated 64-camera system



FASTAR Server is a video server system and is normally operated with a FASTAR Commander and/or a PC Control Station.

1 Commander and 4 Servers



DIGITAL EVIDENCE RECORDER™

All Visimetrics DVR products now carry the DIGITAL EVIDENCE RECORDER™ trademark. These DVRs are designed to record video, audio and data to the highest possible standards for evidential use, including encoding, time/date/serial number stamping, audit trail and easy, yet evidentially robust, data transport. Ask your dealer for our specially printed blank CDR disks for evidential use.



DIGITAL CCTV SYSTEMS

Visimetrics (UK) Ltd
Skye House
Skye Road
Prestwick
KA9 2TA
United Kingdom

Tel • 01292 673 770
Fax • 01292 677 990
email • sales@visimetrics.com